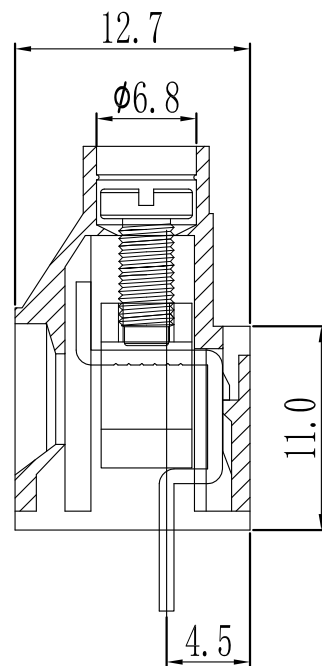
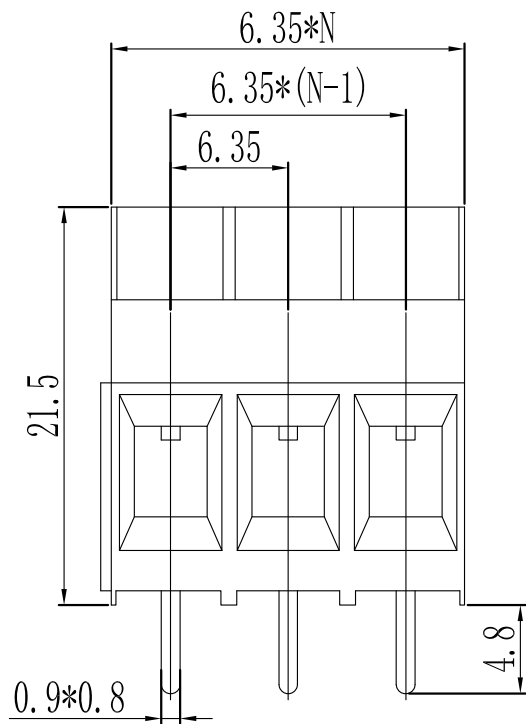
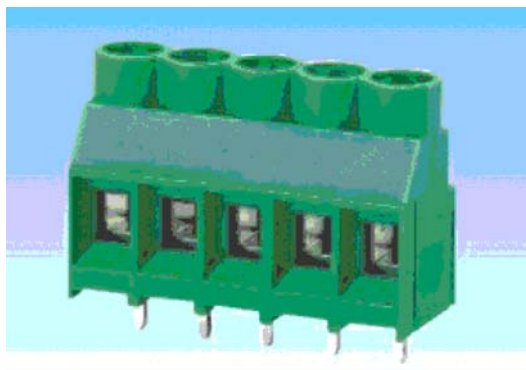


# 环保物料



|       |                       |                             |                    |
|-------|-----------------------|-----------------------------|--------------------|
| 产品型号  | MODEL                 | KD635                       |                    |
| 材质&电镀 | MATERIAL&PLATING      |                             |                    |
| 螺丝    | Screw                 | M3.0, 钢, 镀锌                 | steel, Zinc Plated |
| 弹片    | Reed                  | 黄铜, 镀镍                      | Brass, Ni plated   |
| 焊针    | Pin header            | 黄铜, 镀锡                      | Brass, Tin plated  |
| 塑件    | Housing               | PA66, UL94V-0               |                    |
| 电气性能  | ELECTRICAL            | UL                          | IEC                |
| 额定电压  | Rated voltage         | 300V                        | 450V               |
| 额定电流  | Rated current         | 30A                         | 24A                |
| 接触电阻  | Contact resistance    | 20mΩ                        |                    |
| 绝缘电阻  | Insulation resistance | 500MΩ/1000V                 |                    |
| 耐电压   | Withstanding voltage  | AC3000V/1min                |                    |
| 使用线径  | Wire range            | 26-10AWG 4.0mm <sup>2</sup> |                    |
| 机械性能  | MECHANICAL            |                             |                    |
| 温度范围  | Temp. range           | -40°C~+105°C                |                    |
| 瞬时温度  | Max. soldering        | +250°C, 5sec                |                    |
| 扭矩    | Torque                | 0.5N.m 4.4Lb.in             |                    |
| 剥线长度  | Strip length          | 6-7mm                       |                    |

N=Number of Contacts

|      |                 |                    |           |            |          |            |  |           |          |
|------|-----------------|--------------------|-----------|------------|----------|------------|--|-----------|----------|
|      |                 | GENERAL TOLERANCES |           | SCALE:     | NAME     | DATE       | 康导新能源<br>网址: www.dgonne.com 电话: 0769-85337633<br>邮箱: 2850176886@qq.com 传真: 0769-85392827 | PART. NO: | KDTB0055 |
|      |                 | LINEAR             | ANGLES    | 1:1        | 黎腾       | 2017.06.16 |  | DWG. NO:  |          |
|      |                 | 0.0±0.35           | X° REF±6° | APPROVED   | 肖坤权      | 2017.06.16 | TITLE:<br>Pitch 6.35mm Euro Terminal Blocks  | REV:      | A0       |
| A0   | 新图面发行           | 2017.06.16         | UNIT: MM  | DESIGNER   | 旷淇       | 2017.06.16 |  | SHEET:    | 1/1      |
| REV. | REVISION RECORD | DATE               | SIZE: A4  | 0.000±0.15 | X° X'±2° | DRAWN      |  |           |          |