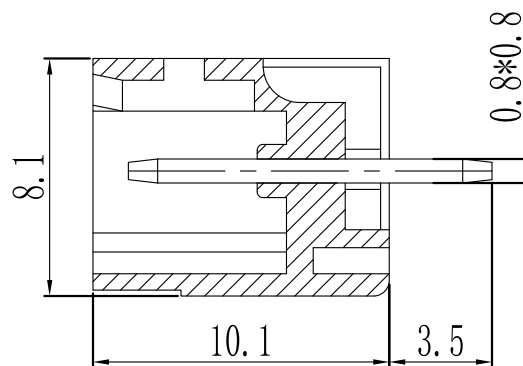
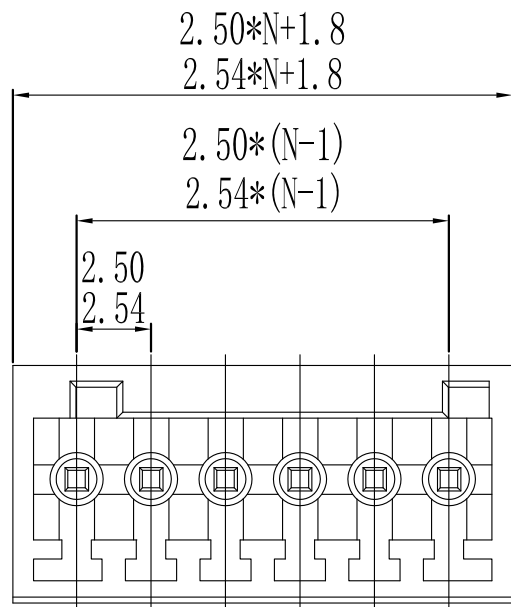
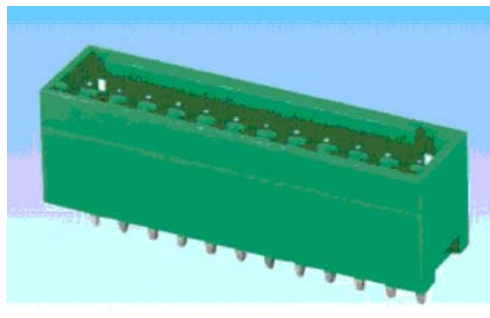


环保物料



N=Number of Contacts

| | | | |
|-------|-----------------------|--------------------------|------|
| 产品型号 | MODEL | KD12EZV | |
| 材质&电镀 | MATERIAL&PLATING | | |
| 螺丝 | Screw | - | |
| 弹片 | Reed | - | |
| 焊针 | Pin header | 黄铜, 镀锡 Brass, Tin plated | |
| 塑件 | Housing | PA66, UL94V-0 | |
| 电气性能 | ELECTRICAL | UL | IEC |
| 额定电压 | Rated voltage | 125V | 130V |
| 额定电流 | Rated current | 4A | 10A |
| 接触电阻 | Contact resistance | 20mΩ | |
| 绝缘电阻 | Insulation resistance | 500MΩ/1000V | |
| 耐电压 | Withstanding voltage | AC1250V/1min | |
| 使用线径 | Wire range | - | |
| 机械性能 | MECHANICAL | | |
| 温度范围 | Temp. range | -40℃~+105℃ | |
| 瞬时温度 | Max. soldering | +250℃, 5sec | |
| 扭矩 | Torque | - | |
| 剥线长度 | Strip length | - | |

| | | | | | | | | | | | |
|------|-----------------|------------|----------|--------------------|----------|----------|------|------------|---|--|------------|
| | | | | GENERAL TOLERANCES | | SCALE: | NAME | DATE | 康导新能源 网址: www.dgconne.com 电话: 0789-85337833 邮箱: 2850178888@qq.com 传真: 0789-85392827 | PART. NO: | KDTB0063 |
| | | | | LINEAR | ANGLES | 1:1 | 黎腾 | 2017.06.16 | | DWG. NO: | |
| A0 | 新图面发行 | 2017.06.16 | UNIT: MM | 0.00±0.25 | X° ±3° | DESIGNER | 肖坤权 | 2017.06.16 | TITLE: | Pitch2.54/2.50mm Pluggable Terminal Blocks | |
| REV. | REVISION RECORD | DATE | SIZE: A4 | 0.000±0.15 | X° X'±2° | DRAWN | 旷淇 | 2017.06.16 | REV: | A0 | SHEET: 1/1 |