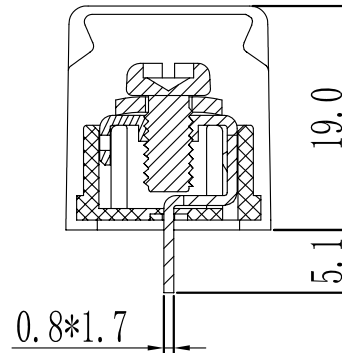
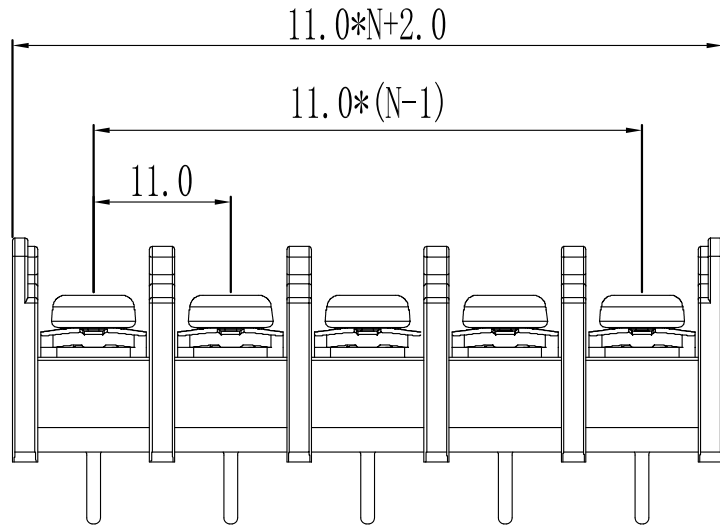
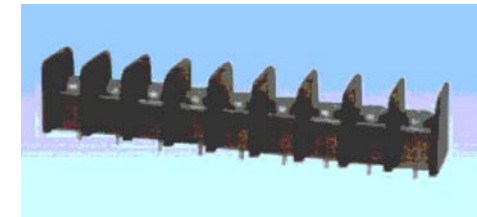



环保物料



产品型号	MODEL	KD-65U
材质&电镀	MATERIAL&PLATING	
螺丝	Screw	M4.0, 钢, 镀镍 Steel, Nickel Plated
端子	Terminal	黄铜, 0.8t 镀锡 Brass, Tin Plated
塑件	Housing	PA66, UL94V-0
电气性能	ELECTRICAL	
额定电压	Rated voltage	300V
额定电流	Rated current	25A
绝缘电阻	Insulation resistance	500MΩ/DC500V
耐电压	Withstanding voltage	AC2000V/1min
使用线径	Wire range	22-12AWG 4.0mm ²
机械性能	MECHANICAL	
温度范围	Temp. range	-40°C~+105°C
扭矩	Torque	1.2N.m 10.53Lb.in



N=Number of Contacts

		GENERAL TOLERANCES		SCALE:	NAME	DATE	 康导新能源 网址: www.dgoonne.com 电话: 0769-85337633 邮箱: 2850176886@qq.com 传真: 0769-85392827	PART. NO:
				1:1	黎腾	2017.06.16		KDTB0262
				APPROVED	肖坤权	2017.06.16		DWG. NO:
				DESIGNER	旷淇	2017.06.16		REV: A0
AO	新图面发行	2017.06.16	UNIT: MM	0.00±0.25	X° ±3°	TITLE:		SHEET: 1/1
REV.	REVISION RECORD	DATE	SIZE: A4	0.000±0.15	X° X'±2°	Pitch11.00mm American/Japanese Terminal Blocks		