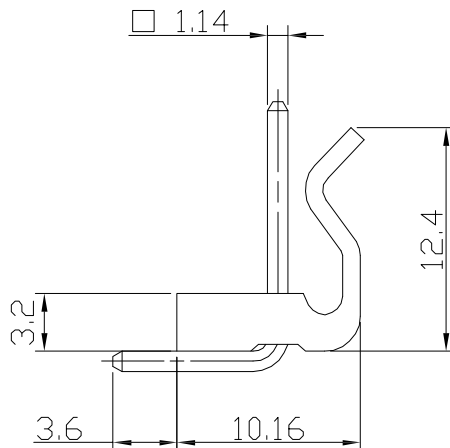
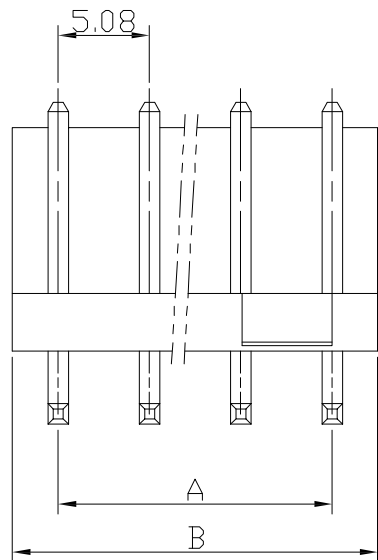
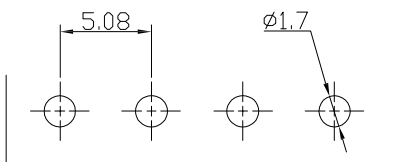
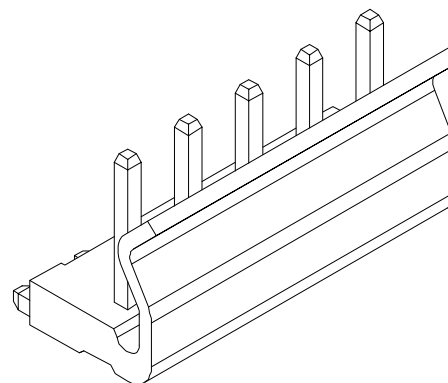


环保物料



主要技术参数 Main Specifications

线数 (Poles): 02 to 14  
 接触电阻 (Contact resistance):  $\leq 20m\Omega$   
 绝缘电阻 (Insulation resistance):  $\geq 1000M\Omega$   
 额定电压 (Rated voltage): 250V AC DC  
 额定电流 (Rated current): 5.0A AC DC  
 耐电压 (Withstand Voltage): 1500V AC/minute  
 温度范围 (Temperature Range):  $-25^{\circ}C \sim +85^{\circ}C$



P. C. B LAYOUT

Poles	Dimensions mm	
	A	B
2	5.08	10.16
3	10.16	15.24
4	15.24	20.32
5	20.32	25.40
6	25.40	30.48
7	30.48	35.56
8	35.56	40.64
9	40.64	45.72
10	45.72	50.80
11	50.08	55.88
12	55.88	60.96
13	60.69	66.04
14	66.04	71.12

2		Wafer 针	Brass Tin 黄铜镀锡	N	
1		Housing 基座	PA66 (UL94V-0/V-2)	1	Transparent 透明白色
序号	图号	名称	材料	数量	附注

		GENERAL TOLERANCES		SCALE:	NAME	DATE
		LINEAR	ANGLES	1:1		
		0.0±0.35	X° REF±6°	APPROVED	黎腾	2017.06.16
AO	新图面发行	0.00±0.25	X° ±3°	DESIGNER	肖坤权	2017.06.16
REV.	REVISION RECORD	0.000±0.15	X° X'±2°	DRAWN	旷淇	2017.06.16

**康导新能源**  
 网址: www.dgconne.com 电话: 0769-85337633  
 邮箱: 2850175988@qq.com 传真: 0769-85392827

PART. NO:	25081AW	
DWG. NO:		
REV:	A0	SHEET: 1/1