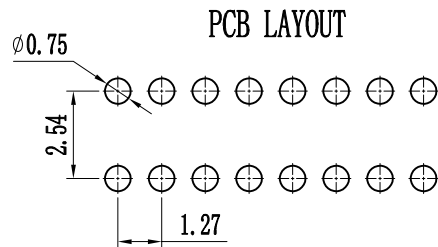
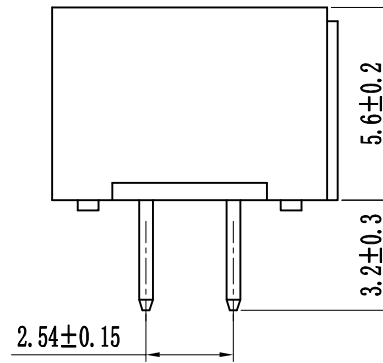
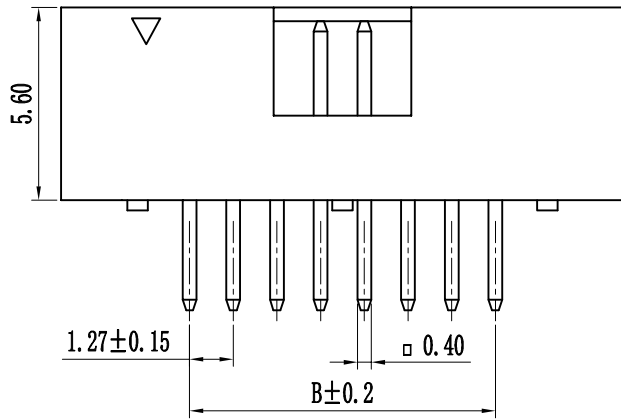
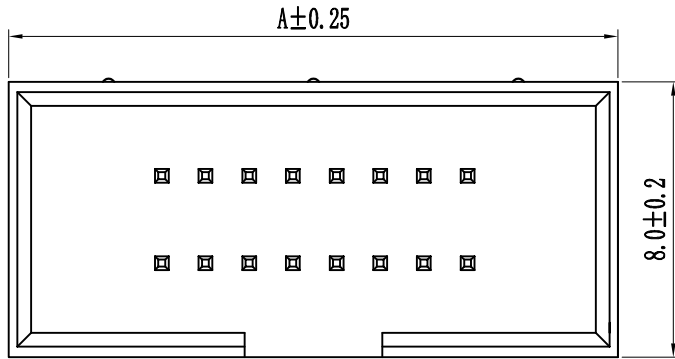


环保物料

Pin数	尺寸A	尺寸B
2X5	13.9	6.35
2X6	15.17	7.62
2X7	16.44	8.89
2X8	17.71	10.16
2X9	18.98	11.43
2X10	20.25	12.70
2X11	21.52	13.97
2X12	22.79	15.24
2X13	24.06	16.51
2X14	25.33	17.78
2X15	26.60	19.05
2X16	27.87	20.32
2X17	29.14	21.59
2X18	30.41	22.86
2X19	31.68	24.13
2X20	32.95	25.40
2X21	34.22	26.67
2X22	35.49	27.94
2X23	36.76	29.21
2X24	38.03	30.48
2X25	39.30	31.75
2X26	40.57	33.02
2X27	41.84	34.29
2X28	43.11	35.56
2X29	44.38	36.83
2X30	45.65	38.10
2X31	46.92	39.37
2X32	48.19	40.64
2X33	49.46	41.91
2X34	50.73	43.18
2X35	52.00	44.45
2X36	53.27	45.72
2X37	54.54	46.99
2X38	55.81	48.26
2X39	57.08	49.53
2X40	58.35	50.80
2X41	59.62	52.07
2X42	60.89	53.34
2X43	62.16	54.61
2X44	63.43	55.88
2X45	64.70	57.15
2X46	65.97	58.42
2X47	67.24	59.69
2X48	68.51	60.96
2X49	69.78	62.23
2X50	71.05	63.50



Specification:
 Current Rating : 1AMP
 Temperature Range : -40°Cto+105°C
 Contact Resistance : 20mΩ Max
 Insulation Resistance : 1000MΩ Min
 Withstanding Voltage : AC 500V
 Material:
 Insulator : Polyester (UL94V-0)
 Standard:PBT/PA6T/LCP
 Contact: Brass
 Plating : Au or Sn Over 50u" Ni

B 12 0D-XXX X X-XX-X-XXX				
①	②	③	④	⑤
① Series No: P=Pin Header F=Female Header B=Box Header E=Ejector Header	② Pitch: 08=0.80 10=1.00 12=1.27 20=2.00 25=2.54 39=3.96 50=5.08	③ Tail/Mounting Style: 9D=Right Angle DIP Type 9S=Straight SMT Type 0D=Straight DIP Type 0S=Horizontal SMT Type	④ No. of Pins: Single Row 101=1*1Pin 102=1*2Pin 140=1*40pin	⑤ Insulator Color: A:Black B:Brown C:Red D:Orange E:Yellow F:Green G:Blue H:Violet J:Gray K:White P:Light Blue
⑥ Material Type: A-PBT B-PA46 C-PA6T D-PA9T E-LCP	⑦ Plating Type: 0*-Sn-Au 1*-Ni 2*-Sn 3*-Matte-Tin 5*-Au 0A-Sn-Au 1u" 0F-Sn-Au 10u" 5A-Au 1u" 0B-Sn-Au 2u" 0C-Sn-Au 15u" 5B-Au 2u" 0C-Sn-Au 3u" 0H-Sn-Au 30u" 5C-Au 3u" 0D-Sn-Au 4u" 0I-Sn-Au 40u" 5D-Au 4u" 0E-Sn-Au 5u" 0J-Sn-Au 50u" 5J-Au 50u"	⑧ RoHS Request: 0:No Request 1:RoHS 2:HF (Halogen Free)	⑨ Customer Code	

REV.	新图面发行	2017.06.16	UNIT: MM	GENERAL TOLERANCES		SCALE:	NAME	DATE
				LINEAR	ANGLES	1:1		
				0.00±0.15	X° ±3°	APPROVED	黎腾	2017.06.16
				0.00±0.08	X° X'±2°	DESIGNER	肖坤权	2017.06.16
						DRAWN	旷淇	2017.06.16

康导新能源
 网址: www.dgconne.com 电话: 0769-85337633
 邮箱: 2850175688@qq.com 传真: 0769-85392827

PART. NO:	KDBH-0011
DWG. NO:	ENDE2011
REV:	AO
SHEET:	1/1