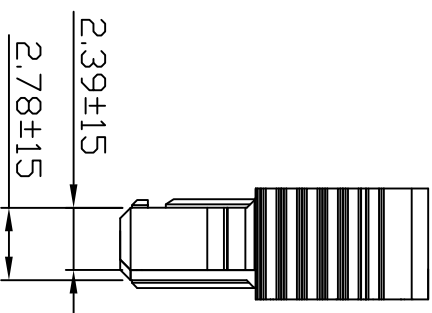
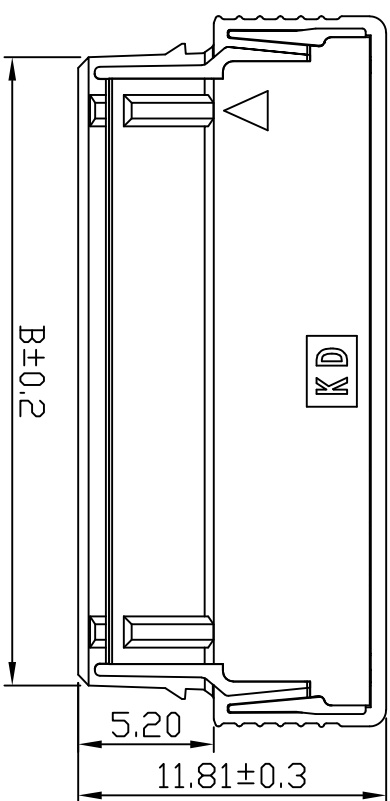
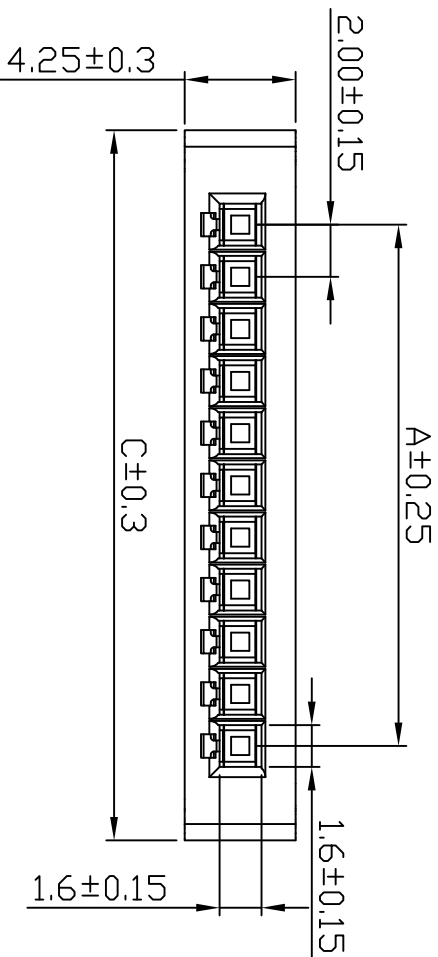


# 环保物料



Specifications:  
 Voltage Rating : 250V AC/DC  
 Current Rating : 3A AC,DC  
 Withstand Voltage : 500V AC/minute  
 Contact Resistance : 25mΩ(MAX.)  
 Insulation Resistance : 1000MΩ(MIN.)  
 Temperature Range : -55°C~+150°C

Unit: mm

Part No.	Dimensions		
	A	B	C
1*2P	2.0	6.11	9.24
1*3P	4.0	8.11	11.24
1*4P	6.0	10.11	13.24
1*5P	8.0	12.11	15.24
1*6P	10.0	14.11	17.24
1*7P	12.0	16.11	19.24
1*8P	14.0	18.11	21.24
1*9P	16.0	20.11	23.24
1*10P	18.0	22.11	25.24
1*11P	20.0	24.11	27.24
1*12P	22.0	26.11	29.24
1*13P	24.0	28.11	31.24
1*14P	28.0	30.11	33.24
1*15P	30.0	32.11	35.24
1*16P	32.0	34.11	37.24
1*17P	34.0	36.11	39.24
1*18P	36.0	38.11	41.24
1*19P	38.0	40.11	43.24
1*20P	40.0	42.11	45.24

Material	Color
PA46,UL94V-0	Black



**康导新能源**  
 网址: www.kdnew.com 电话: 0780-88387833  
 地址: 2850175888@qq.com 传真: 0780-88382827

PART. NO:  
42016H00-1XNPA-JK-RS

DWG. NO:  
ENDE05

TITLE:  
2.00mm pitch Dual Housing

REV: A0 SHEET: 1/1

GENERAL TOLERANCES		SCALES:		NAME		DATE	
LINEAR	ANGLES	1:1					
0.0±0.25	X° REF±6°	APPROVED		黎腾	2017.06.16		
0.00±0.15	X° ±3°	DESIGNER		肖坤权	2017.06.16		
X° X'±2°		DRAWN		尹淇	2017.06.16		

SCALE: 1:1	UNIT: MM	DATE	SIZE: A4
0.000±0.08			

REV. A0	新图面发行	DATE	2017.06.16
1	REVISION RECORD		

1	2	3	4	5	6	7	8
---	---	---	---	---	---	---	---