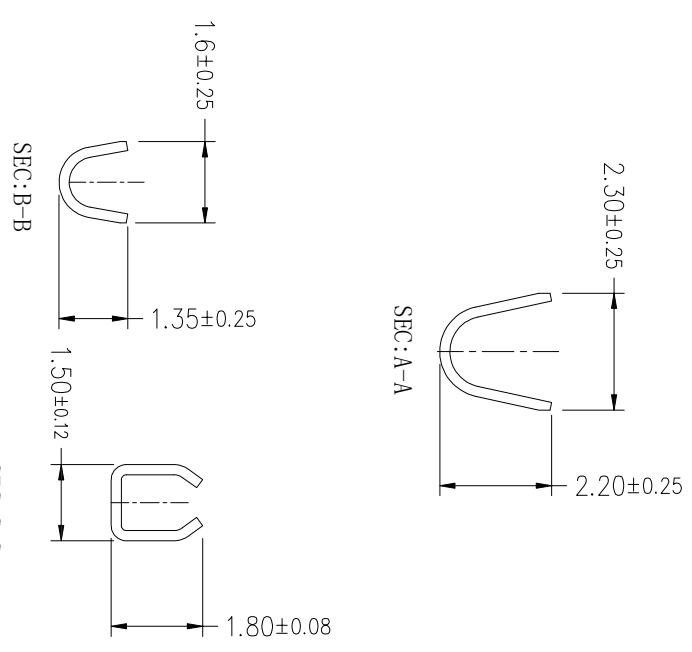
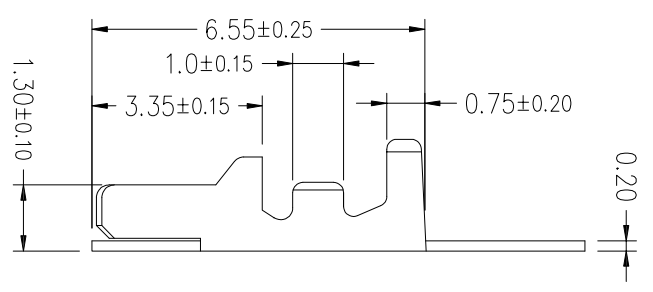
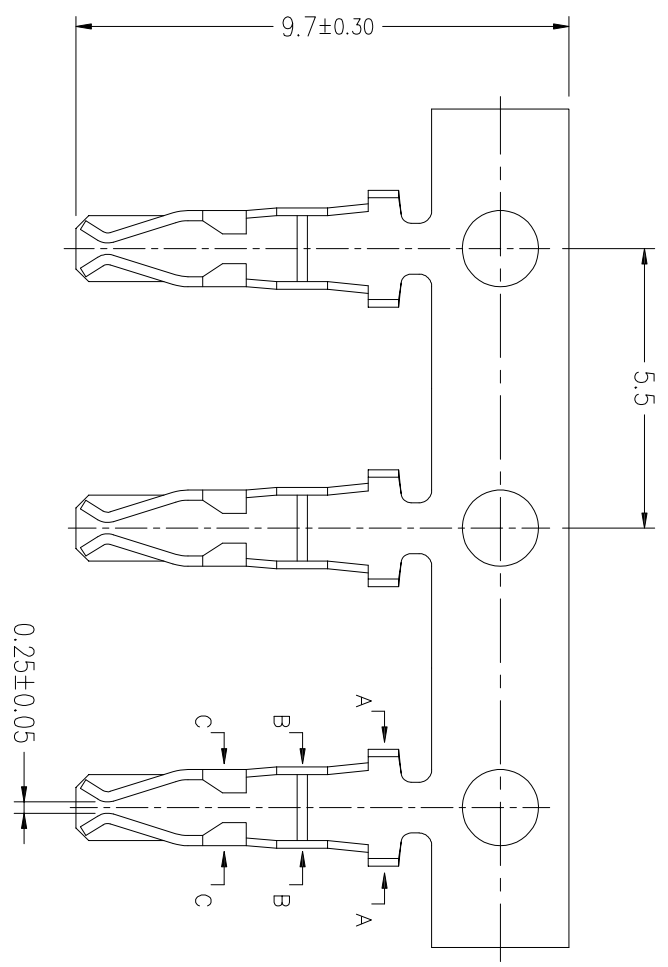


环保物料

主要技术参数 Main Specifications

接触电阻 (Contact resistance): $\leq 30m\Omega$
 绝缘电阻 (Insulation resistance): $\geq 1000M\Omega$
 额定电压 (Rated voltage): 250V AC DC
 额定电流 (Rated current): 3.0A AC DC
 耐电压 (Withstand Voltage): 1000V AC/minute
 温度范围 (Temperature Range): $-25^{\circ}C \sim +105^{\circ}C$



Wire Range	Insulation O.D.	Material	Finish	Qty/Reel
AWG #22~#30	1.50mm (max)	Phosphor bronze	Tin-plated	

SCALE: 1:1		NAME		DATE		TITLE:		PART. NO:	
GENERAL TOLERANCES		APPROVED		2017.06.16		2.00mm PITCH TERMINAL		22011T	
LINEAR		黎腾		2017.06.16		DWG. NO:		REV: A0	
ANGLES		肖坤权		2017.06.16		REV: A0		SHEET: 1/1	
0.0±0.35		肖坤权		2017.06.16		REV: A0		SHEET: 1/1	
X° REF±6°		肖坤权		2017.06.16		REV: A0		SHEET: 1/1	
X° ±3°		肖坤权		2017.06.16		REV: A0		SHEET: 1/1	
X° X'±2°		肖坤权		2017.06.16		REV: A0		SHEET: 1/1	
UNIT: MM		肖坤权		2017.06.16		REV: A0		SHEET: 1/1	
SIZE: A4		肖坤权		2017.06.16		REV: A0		SHEET: 1/1	
0.000±0.15		肖坤权		2017.06.16		REV: A0		SHEET: 1/1	
DATE		肖坤权		2017.06.16		REV: A0		SHEET: 1/1	
2017.06.16		肖坤权		2017.06.16		REV: A0		SHEET: 1/1	
REVISION RECORD		肖坤权		2017.06.16		REV: A0		SHEET: 1/1	
新图面发行		肖坤权		2017.06.16		REV: A0		SHEET: 1/1	
1		肖坤权		2017.06.16		REV: A0		SHEET: 1/1	
2		肖坤权		2017.06.16		REV: A0		SHEET: 1/1	
3		肖坤权		2017.06.16		REV: A0		SHEET: 1/1	
4		肖坤权		2017.06.16		REV: A0		SHEET: 1/1	
5		肖坤权		2017.06.16		REV: A0		SHEET: 1/1	
6		肖坤权		2017.06.16		REV: A0		SHEET: 1/1	
7		肖坤权		2017.06.16		REV: A0		SHEET: 1/1	
8		肖坤权		2017.06.16		REV: A0		SHEET: 1/1	



康导新能源