

环保物料

Specifications:

Voltage Rating : 125V AC/DC

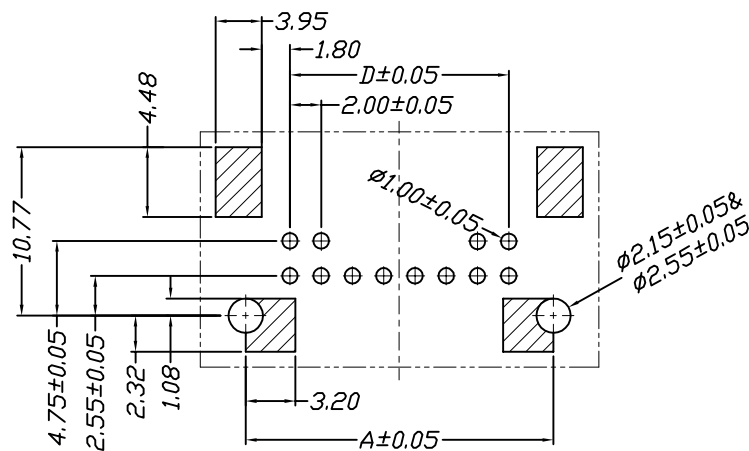
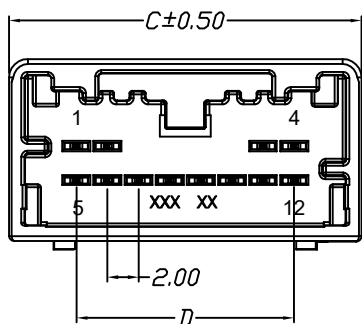
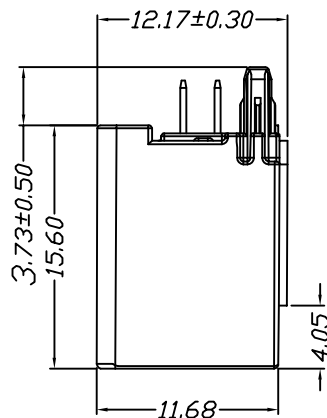
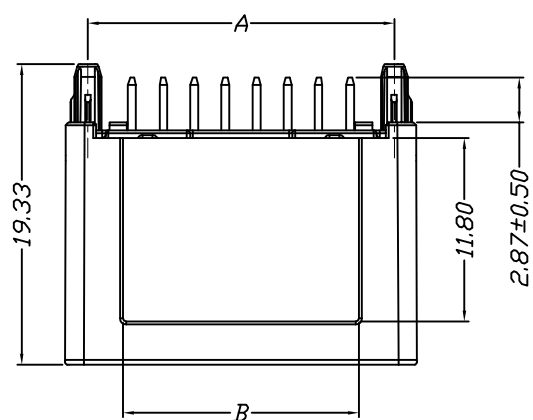
Current Rating : 3A AC,DC

Withstand Voltage : 600V AC/minute

Contact Resistance : 40mΩ(MAX.)

Insulation Resistance : 1000MΩ(MIN.)

Temperature Range : -40°C~+105°C



P.C.B. LAYOUT

Unit: mm

Part No.	Dimensions			
	A	B	C	D
12P	19.70	15.17	22.63	14.00
16P	23.70	19.17	26.63	18.00
20P	27.70	23.17	30.63	22.00
24P	31.70	27.17	34.63	26.00

Material	Color	PIN Material
PBT,UL94V-0	Gray	Brass

REV.	REVISION RECORD	DATE	UNIT: MM	GENERAL TOLERANCES		SCALE: 1:1	NAME	DATE
				LINEAR	ANGLES			
A0	新图面发行	2017.06.16	MM	0.00±0.15	X° ±3°	APPROVED	黎腾	2017.06.16
REV.	REVISION RECORD	DATE	SIZE: A4	0.000±0.08	X° X'±2°	DESIGNER	肖坤权	2017.06.16
						DRAWN	旷洪	2017.06.16



PART NO:  
42013W01-NP\*-B3-\*\*

DWG. NO:  
ENDE05

TITLE:  
2.00mm pitch Dual Wafer

REV: A0 SHEET: 1/1