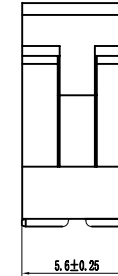
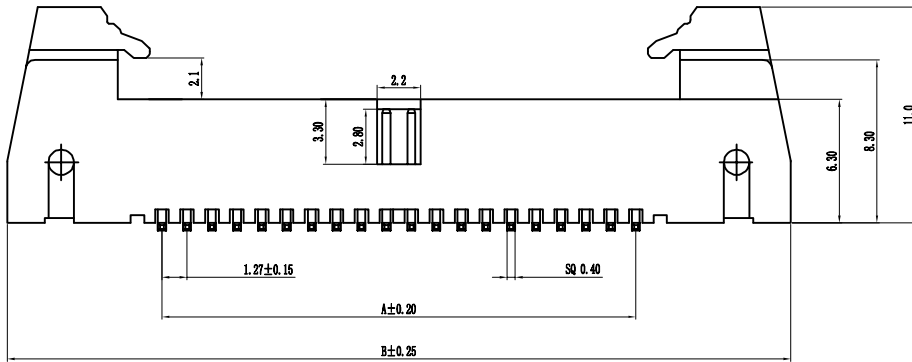
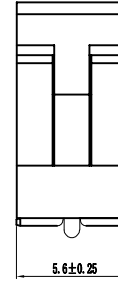
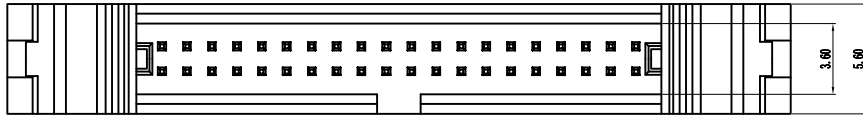


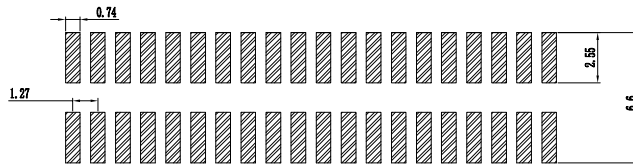
环保物料

Pin数	尺寸A	尺寸B
2×6	6.35	22.12
2×8	8.89	24.66
2×10	11.43	27.20
2×12	13.97	29.74
2×14	16.51	32.28
2×16	19.05	34.82
2×18	21.59	37.36
2×20	24.13	39.90
2×22	26.67	42.44
2×24	29.21	44.98
2×26	31.75	47.52
2×28	34.29	50.06
2×30	36.83	52.60
2×32	39.37	55.14
2×34	41.91	57.68
2×36	44.45	60.22
2×38	46.99	62.76
2×40	49.53	65.30
2×42	52.07	67.84
2×44	54.61	70.38
2×46	57.15	72.92
2×48	59.69	75.46
2×50	62.23	78.00
2×52	64.77	80.54
2×54	67.31	83.08
2×56	69.85	85.62
2×58	72.39	88.16
2×60	74.93	90.70



Specification:
 Current Rating : 1AMP
 Temperature Range : -40°Cto+105°C
 Contact Resistance : 20mΩ Max
 Insulation Resistance : 1000MΩ Min
 Withstanding Voltage : AC 500V
 Material:
 Insulator : Polyester (UL94V-0)
 Standard:PA6T/LCP
 Contact: Brass
 Plating : Au or Sn Over 50u" Ni

PCB LAYOUT



E 12 9S-XXX X X -XX-X-XXX
 ① ② ③ ④ ⑤ ⑥ ⑦ ⑧ ⑨

① Series No: P=Pin Header F=Female Header B=Box Header E=Ejector Header	② Pitch: 08=0.80 10=1.00 12=1.27 20=2.00 25=2.54 39=3.96 50=5.08	③ Tail/Mounting Style: 9D=Right Angle DIP Type 9S=Straight SMT Type 0D=Straight DIP Type 0S=Horizontal SMT Type	④ No. of Pins: Single Row Double Row 101=1*1Pin 201=2*1Pin 102=1*2Pin 202=2*2Pin i i i i 140=1*40pin 240=2*40pin	⑤ Insulator Color: A:Black B:Brown C:Red D:Orange E:Yellow F:Green G:Blue H:Violet J:Gray K:White P:Light Blue
⑥ Material Type: A-PBT B-PA46 C-PA6T D-PA6T E-LCP	⑦ Plating Type: 0*-Sn-Au 1*-Ni 2*-Sn 3*-Matte-Tin 5*-Au 0A-Sn-Au 1u" 0F-Sn-Au 10u" 5A-Au 1u" 0B-Sn-Au 2u" 0C-Sn-Au 15u" 5B-Au 2u" 0C-Sn-Au 3u" 0H-Sn-Au 30u" 5C-Au 3u" 0D-Sn-Au 4u" 0I-Sn-Au 40u" i 0E-Sn-Au 5u" 0J-Sn-Au 50u" 5J-Au 50u"	⑧ RoHS Request: 0:No Request 1:RoHS 2:HF (Halogen Free)	⑨ Customer Code	

REV.	REVISION RECORD	DATE	UNIT: MM	GENERAL TOLERANCES		SCALE: 1:1	NAME	DATE
				LINEAR	ANGLES			
A0	新图面发行	2017.06.16	MM	0.00±0.15	X° ±3°	APPROVED	黎腾	2017.06.16
				0.00±0.08	X° X'±2°	DESIGNER	肖坤权	2017.06.16
						DRAWN	旷淇	2017.06.16



PART. NO:	KDEH-0002	
DWG. NO:	ENDE3002	
REV:	A0	SHEET: 1/1

TITLE:
 Pitch1.27mm Ejector Header, Dual Row,
 Plastic Height 6.3mm, SMT (with Local Peg) Type